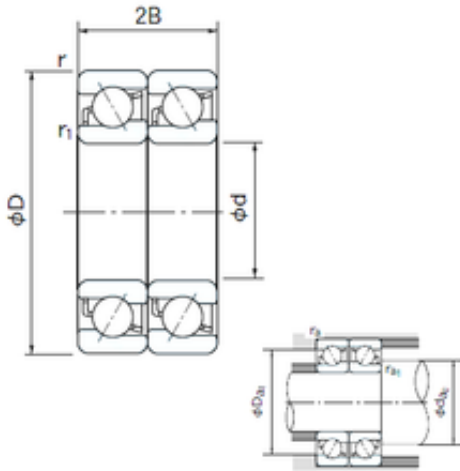




NTN Bearing de Mexico, S.A.



70 mm x 150 mm x 35 mm NACHI 7314BDT
angular contact ball bearings

Bearing No. 7314BDT

7314BDT Bearing 2D drawings and 3D CAD models

Size	70x150x35 mm
Bore Diameter	70 mm
Outer Diameter	150 mm
Width	35 mm
d	70 mm
D	150 mm
B	35 mm
C	35 mm
Angle (°)	40 °
a	28.7 mm
r min.	2.1 mm
r1 min.	1.1 mm
2B	70 mm
da min.	77 mm
Da max.	143 mm
ra max.	1 mm
Weight	2.70 Kg
Basic dynamic load rating (C)	191 kN
Basic static load rating (C0)	177 kN
(Grease) Lubrication Speed	2900 r/min
Bore Type	Cylindrical Bore
Enclosure	Open
Configuration	Duplex
Bore Size	70 mm
Outside Diameter	150 mm



NTN Bearing de Mexico, S.A.

Width	35 mm
Fillet Radius/Chamfer	2.1 mm
r1	1.1 mm
Dynamic Load Rating	191,000 N
Static Load Rating	177,000 N
Limiting Speed - Grease	2,900 rpm
Limiting Speed - Oil	3,900 rpm
da1 (min)	82 mm
da2 (min)	77 mm
Da1 (max)	138 mm
Da2 (max)	143 mm
ra (max)	2 mm
ra1 (max)	1 mm