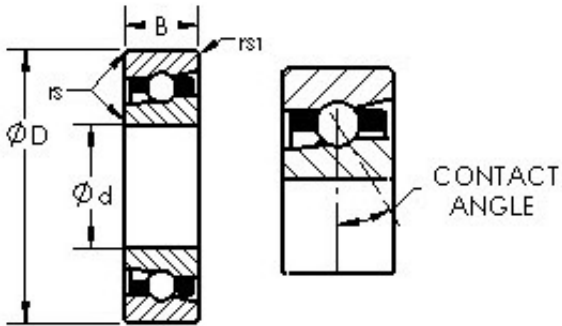




NTN Bearing de Mexico, S.A.



AST H7019C/HQ1 angular contact ball bearings

Bearing No. H7019C/HQ1

Size	95x145x24 mm
Bore Diameter	95 mm
Outer Diameter	145 mm
Width	24 mm
Bearing Type	15 deg contact, high speed
Bore Dia (d)	95.0000
Outer Dia (D)	145.0000
Width (B)	24.0000
Radius (min) (rs)	1.500
Dynamic Load Rating (Cr)	44,400
Static Load Rating (Cor)	45,200
Max Speed (Grease) (X1000 RPM)	12
Max Speed (Oil) (X1000 RPM)	19
Radius (min) (rs1)	0.600
Material	52100 Chrome steel (or equivalent)

H7019C/HQ1 Bearing 2D drawings and 3D CAD models