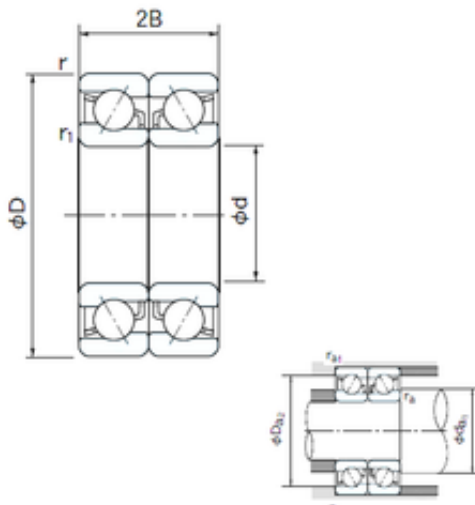




NTN Bearing de Mexico, S.A.



7218CDB Bearing 2D drawings and 3D CAD models

90 mm x 160 mm x 30 mm NACHI 7218CDB
angular contact ball bearings

Bearing No. 7218CDB

Size	90x160x30 mm
Bore Diameter	90 mm
Outer Diameter	160 mm
Width	30 mm
d	90 mm
D	160 mm
B	30 mm
C	30 mm
Angle (°)	15 °
a -	0.6 mm
r min.	2 mm
r1 min.	1 mm
2B	60 mm
da min.	100 mm
Da max.	154 mm
ra max.	1 mm
Weight	2.30 Kg
Basic dynamic load rating (C)	201 kN
Basic static load rating (C0)	211 kN
(Grease) Lubrication Speed	5100 r/min
Bore Type	Cylindrical Bore
Enclosure	Open
Configuration	Duplex
Bore Size	90 mm
Outside Diameter	160 mm



NTN Bearing de Mexico, S.A.

Width	30 mm
Fillet Radius/Chamfer	2 mm
r1	1 mm
Dynamic Load Rating	201,000 N
Static Load Rating	211,000 N
Limiting Speed - Grease	5,100 rpm
Limiting Speed - Oil	7,000 rpm
da1 (min)	100 mm
da2 (min)	100 mm
Da1 (max)	150 mm
Da2 (max)	154 mm
ra (max)	2 mm
ra1 (max)	1 mm