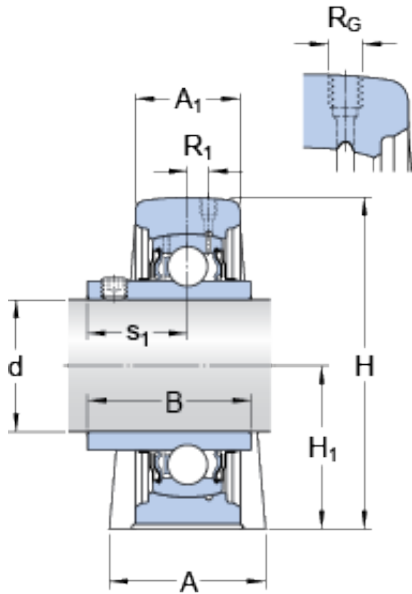




# NTN Bearing de Mexico, S.A.



SYF 45 TF Bearing 2D drawings and 3D CAD models

## SKF SYF 45 TF bearing units

Bearing No. SYF 45 TF

Size	45x48x32 mm
Bore Diameter	45 mm
Outer Diameter	48 mm
Width	32 mm
d	45 mm
A	48 mm
A <sub>1</sub>	32 mm
B	49.2 mm
H	107.5 mm
H <sub>1</sub>	54 mm
J	95.3 mm
L	120 mm
s <sub>1</sub>	30.2 mm
D <sub>N</sub>	6.5 mm
SW <sub>N</sub>	7 mm
G <sub>N</sub> - 1/4-28 SAE-LT	1/428 SAELT
R <sub>G</sub> - 1/4-28 UNF	1/428 UNF
R <sub>1</sub>	4 mm
R	45 °
Basic dynamic load rating - C	33.2 kN
Basic static load rating - C <sub>0</sub>	21.6 kN
Fatigue load limit - P <sub>u</sub>	0.915 kN
Limiting speed	4300 r/min
Calculation factor - f <sub>0</sub>	14



## NTN Bearing de Mexico, S.A.

Weight	1.85 kg
Housing thread for attachment bolts - G	M12
Thread length - G <sub>1</sub>	22 mm
Hexagonal key size for grub screw - H	4 mm
Recommended tightening torque for grub screw	6.5 N · m
Housing	SYF 509
Category	Pillow Block Bearings
Inventory	0.0
Manufacturer Name	SKF
Minimum Buy Quantity	N/A
Weight / Kilogram	2.022
EAN	7316570783728
Product Group	M06110
Number of Mounting Holes	2
Mounting Method	Set Screw
Housing Style	2 Bolt Tap Base Pillow Block
Rolling Element	Ball Bearing
Housing Material	Cast Iron
Expansion / Non-expansion	Non-expansion
Mounting Bolts	12 Millimeter
Relubricatable	Yes
Insert Part Number	YAR 209-2F
Seals	M Seal
Housing Configuration	1 Piece Solid
Inch - Metric	Metric
Other Features	Single Row   Short Base   Y Bearing   With Grub Screw
Long Description	2 Bolt Tap Base Pillow Block; 45MM Bore; 54MM Base to Center Height; Set Screw Mount; Ball Bearing;



## NTN Bearing de Mexico, S.A.

	Relubricatable; Cast Iron; M Seal; Non-expansion
Category	Pillow Block
UNSPSC	31171511
Harmonized Tariff Code	8483.20.40.40
Noun	Bearing
Keyword String	Pillow Block
Manufacturer URL	<a href="http://www.skf.com">http://www.skf.com</a>
Manufacturer Item Number	SYF 45 TF
Weight / LBS	3.97
Base to Center Height	2.126 Inch   54 Millimeter
Bolt Spacing Minimum	0 Inch   0 Millimeter
Nominal Bolt Center to Center	3.8 Inch   97 Millimeter
Length Thru Bore	1.937 Inch   49.2 Millimeter
Bore	1.772 Inch   45 Millimeter
Bolt Spacing Maximum	0 Inch   0 Millimeter
Actual Bolt Center to Center	3.8 Inch   96 Millimeter
Housing material	Cast iron
A <sub>1</sub>	32 mm
B <sub>4</sub>	8 mm
H <sub>1</sub>	54 mm
s <sub>1</sub>	30.2 mm
R <sub>G</sub>	1/4-28 UNF
R <sub>1</sub>	4 mm
R	45 °
D <sub>N</sub>	6.5 mm
SW <sub>N</sub>	7 mm
G <sub>N</sub>	1/4-28 SAE-LT
Basic dynamic load rating C	33.2 kN
Basic static load rating C <sub>0</sub>	21.6 kN
Fatigue load limit P <sub>u</sub>	0.915 kN



## NTN Bearing de Mexico, S.A.

Mass bearing unit	1.85 kg
Housing thread for attachment bolts G	M12
Thread length $G_1$	22 mm
Thread grub screw $G_2$	M8x1
Hexagonal key size for grub screw N	4 mm