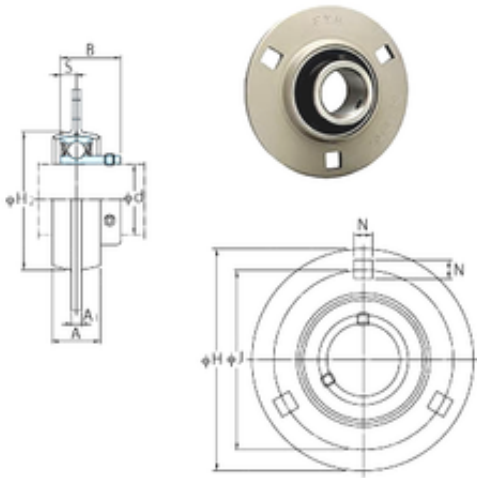




# NTN Bearing de Mexico, S.A.

## FYH SBPF207-22 bearing units

Bearing No. SBPF207-22



SBPF207-22 Bearing 2D drawings and 3D CAD models

Bore Diameter	34,925 mm
Width	32 mm
d	34,925 mm
A	22 mm
A1	5,2 mm
B	32 mm
H	122 mm
H2	81 mm
J	100 mm
N	11 mm
S	8,5 mm
Bolt (G)	M10
Weight	0,82 Kg
Basic dynamic load rating (C)	25,7 kN
Basic static load rating (C0)	15,4 kN