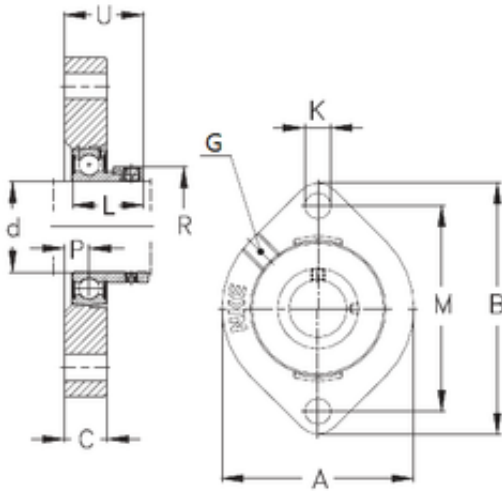




NTN Bearing de Mexico, S.A.

NKE GLCTE30 bearing units

Bearing No. GLCTE30



GLCTE30 Bearing 2D drawings and 3D CAD models

Bore Diameter	30 mm
d	30 mm
P	11,4 mm
U	38,1 mm
K	11,5 mm
A	84 mm
B	112,5 mm
C	20,5 mm
L	35,7 mm
M	90,5 mm
R	44 mm
Thread (G)	R1/8 "