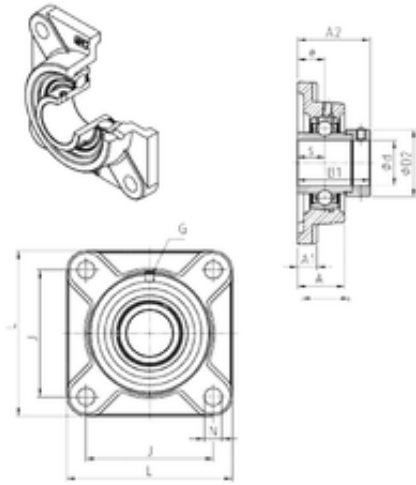




# NTN Bearing de Mexico, S.A.



## SNR EXF309 bearing units

Bearing No. EXF309

Bore Diameter	45 mm
d	45 mm
e	25 mm
s	19,8 mm
A	44 mm
A1	18 mm
B1	58,7 mm
D2	70 mm
J	125 mm
L	160 mm
N	19 mm
Thread (G)	M6x1
A2	63,9 mm
Weight	3,5 Kg
Basic dynamic load rating (C)	53 kN

EXF309 Bearing 2D drawings and 3D CAD models