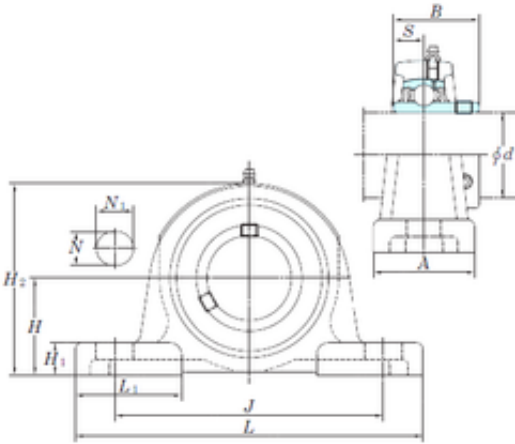




# NTN Bearing de Mexico, S.A.



UCP212 Bearing 2D drawings and 3D CAD models

## KOYO UCP212 bearing units

Bearing No. UCP212

Bore Diameter	60 mm
Width	65,1 mm
d	60 mm
A	70 mm
B	65,1 mm
H	69,8 mm
H1	22 mm
H2	138 mm
J	184 mm
L	241 mm
L1	76 mm
N	20 mm
N1	25 mm
S	25,4 mm
Bolt (G)	M16
Weight	4,9 Kg
Basic dynamic load rating (C)	52,4 kN
Basic static load rating (C0)	36,2 kN
Bearing No.	UCP212
Bolt size	M16
Cr	52.4
C0r	36.2
f0	14.4
(Refer.)Unit mass(kg)	4.9
Nipple size	R1/8