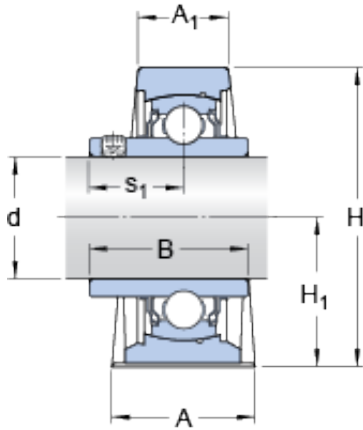




NTN Bearing de Mexico, S.A.



SY 1.3/16 TF/VA201 Bearing 2D drawings and 3D CAD models

SKF SY 1.3/16 TF/VA201 bearing units

Bearing No. SY 1.3/16 TF/VA201

Size	40x30.163x29 mm
Bore Diameter	40 mm
Outer Diameter	30,163 mm
Width	29 mm
d	30.163 mm
A	40 mm
A ₁	29 mm
H	82 mm
H ₁	42.9 mm
H ₂	16.5 mm
L	152 mm
J	117.5 mm
H	23.5 mm
N ₁	14 mm
B	38.1 mm
s ₁	22.2 mm
Basic dynamic load rating - C	19.5 kN
Basic static load rating - C ₀	11.2 kN
Limiting speed	90 r/min
Limiting temperature - T	250 ° C
Mass bearing unit	1.13 kg
Grub (set) screw - G ₂ - 1/4-28 UNF	1/428 UNF
Hexagonal key size for grub screw - H	3.175 mm



NTN Bearing de Mexico, S.A.

Recommended tightening torque for grub screw	4 N · m
Category	Bearings
Inventory	0.0
Manufacturer Name	SKF
Minimum Buy Quantity	N/A
Weight / Kilogram	0
Product Group	M06110
A ₁	29 mm
H ₁	42.9 mm
H ₂	16.5 mm
N	23.5 mm
N ₁	14 mm
Attachment bolts, recommended metric size G	12 mm