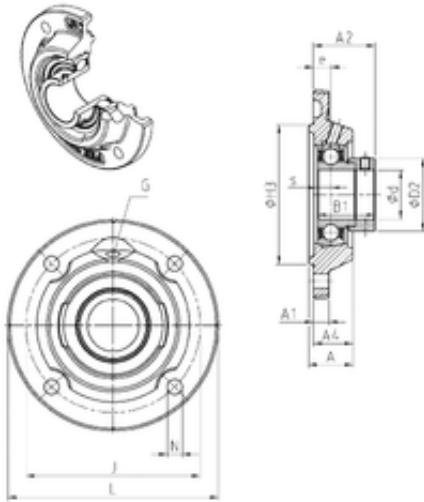




# NTN Bearing de Mexico, S.A.



## SNR ESFEE210 bearing units

Bearing No. ESFEE210

Bore Diameter	50 mm
d	50 mm
H3	115 mm
A4	28,5 mm
e	12,5 mm
s	11 mm
A	32,5 mm
A1	13 mm
B1	43,7 mm
D2	69,9 mm
J	136 mm
L	165 mm
N	14 mm
Thread (G)	R1/8"
A2	45,2 mm
Weight	2,5 Kg
Basic dynamic load rating (C)	35,1 kN

ESFEE210 Bearing 2D drawings and 3D CAD models