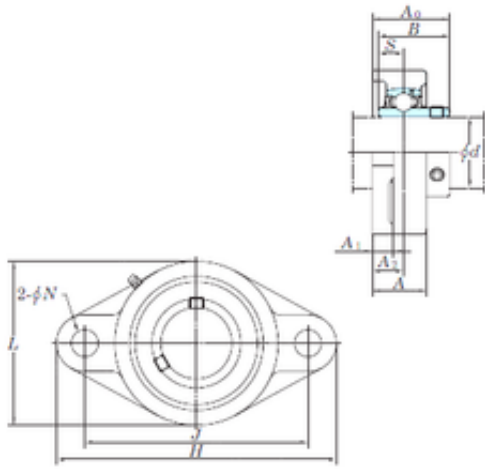




NTN Bearing de Mexico, S.A.



KOYO UCFL214 bearing units

Bearing No. UCFL214

Bore Diameter	70 mm
d	70 mm
A0	75,4 mm
A	54 mm
A1	20 mm
B	74,6 mm
H	265 mm
J	216 mm
L	160 mm
N	23 mm
S	30,2 mm
A2	31 mm
Weight	5,7 Kg
Basic static load rating (C0)	62,2 kN
Bearing No.	UCFL214
Bolt size	M20
Cr	62.2
C0r	44.1
f0	14.5
(Refer.)Unit mass(kg)	5.7
Nipple size	R1/8

UCFL214 Bearing 2D drawings and 3D CAD models