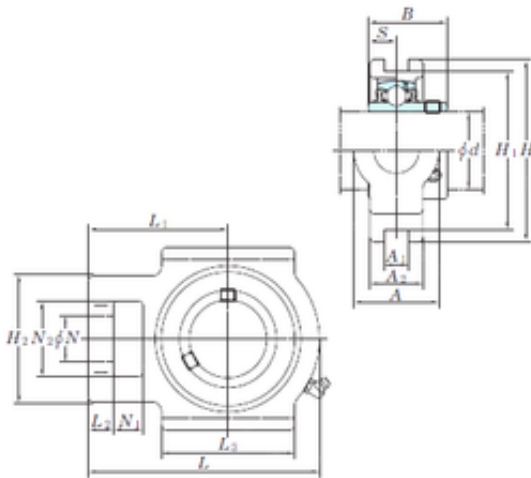




NTN Bearing de Mexico, S.A.



UCT215 Bearing 2D drawings and 3D CAD models

KOYO UCT215 bearing units

Bearing No. UCT215

Bore Diameter	75 mm
d	75 mm
L2	21 mm
L3	121 mm
A	70 mm
A1	26 mm
B	77,8 mm
H	167 mm
H1	151 mm
H2	111 mm
L	232 mm
L1	140 mm
N	41 mm
N1	32 mm
S	33,3 mm
A2	48 mm
N2	70 mm
Weight	7,3 Kg
Basic dynamic load rating (C)	67,4 kN
Basic static load rating (C0)	48,3 kN
Bearing No.	UCT215
Cr	67.4
C0r	48.3
f0	14.5
(Refer.)Unit mass(kg)	7.3
Nipple size	R1/8



NTN Bearing de Mexico, S.A.