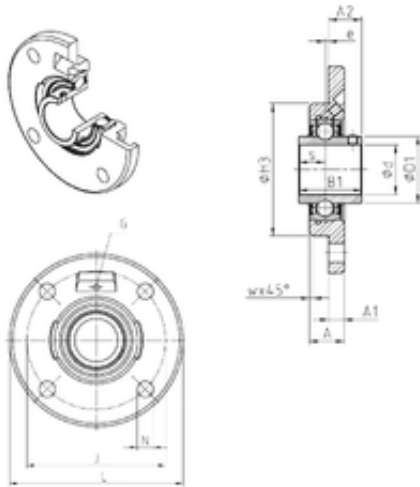




# NTN Bearing de Mexico, S.A.



## SNR UCFCE216 bearing units

Bearing No. UCFCE216

Bore Diameter	80 mm
d	80 mm
H3	160 mm
e -	2
s	33,3 mm
A	33 mm
A1	18,5 mm
B1	82,6 mm
D1	98 mm
J	184 mm
L	220 mm
N	18 mm
W	6 mm
Thread (G)	R1/8"
A2	51,3 mm
Weight	5,6 Kg
Basic dynamic load rating (C)	72,5 kN

UCFCE216 Bearing 2D drawings and 3D CAD models