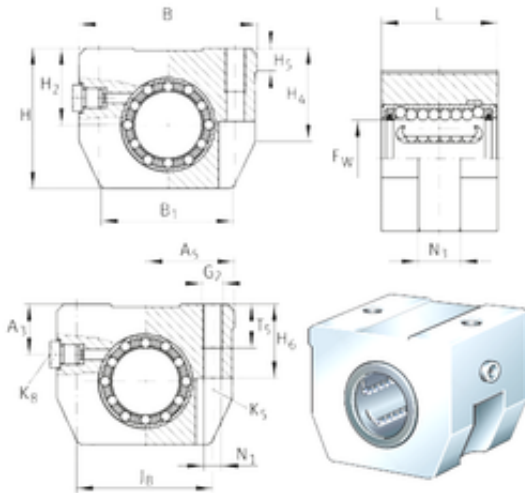




# NTN Bearing de Mexico, S.A.

## INA KGHK20-B-PP-AS bearing units

Bearing No. KGHK20-B-PP-AS



KGHK20-B-PP-AS Bearing 2D drawings and 3D CAD models

Bore Diameter	20 mm
Fw	20 mm
H4	29,8 mm
H5	7,4 mm
H6	22 mm
A5	26,5 mm
B	53 mm
B1	40 mm
H	42,5 mm
H2	23 mm
L	30,2 mm
N1	5,3 mm
A3	15 mm
N2	11 mm
Thread (G2)	M6
JB	40 mm
T5	13 mm
Thread (K5)	M5
Weight	0,15 Kg
Basic dynamic load rating (C)	1,11 kN