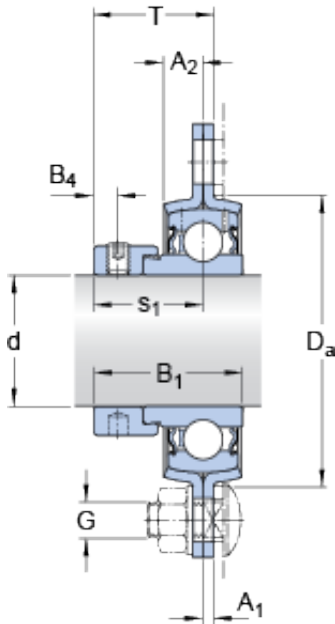




# NTN Bearing de Mexico, S.A.



PFD 35 FM Bearing 2D drawings and 3D CAD models

## SKF PFD 35 FM bearing units

Bearing No. PFD 35 FM

Size	35x2.5x10 mm
Bore Diameter	35 mm
Outer Diameter	2,5 mm
Width	10 mm
d	35 mm
A <sub>1</sub>	2.5 mm
A <sub>2</sub>	10 mm
B	25.4 mm
B <sub>4</sub>	6.75 mm
D <sub>a</sub> - min.	77 mm
J	100 mm
H	122 mm
H <sub>1</sub>	45 mm
H	11 mm
s <sub>1</sub>	29.4 mm
T	31.9 mm
Basic dynamic load rating - C	25.5 kN
Basic static load rating - C <sub>0</sub>	15.3 kN
Fatigue load limit - P <sub>u</sub>	0.655 kN
Permissible radial housing load	max. 6.5 kN
Weight	0.67 kg
Thread - G <sub>2</sub>	M10x1
Hexagonal key size for grub screw - H	5 mm



## NTN Bearing de Mexico, S.A.

Housing material	Pressed steel
A <sub>1</sub>	2.5 mm
A <sub>2</sub>	10 mm
B <sub>4</sub>	6.75 mm
D <sub>a</sub> min.	77 mm
H <sub>1</sub>	45 mm
N	11 mm
s <sub>1</sub>	29.4 mm
Basic dynamic load rating C	25.5 kN
Basic static load rating C <sub>0</sub>	15.3 kN
Fatigue load limit P <sub>u</sub>	0.655 kN
Permissible radial housing load max.	6.5 kN
Mass unit	0.67 kg
Thread grub screw G <sub>2</sub>	M10x1
Hexagonal key size for grub screw N	5 mm
Recommended tightening torque for grub screw	16.5 N · m
Recommended diameter for attachment bolts, mm G	10 mm
Recommended diameter for attachment bolts, inch G	0.375 in