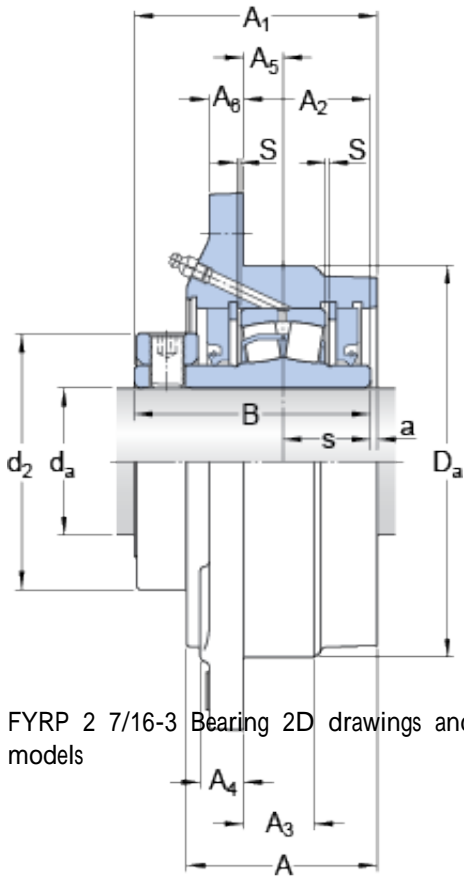




NTN Bearing de Mexico, S.A.



FYRP 2 7/16-3 Bearing 2D drawings and 3D CAD models

SKF FYRP 2 7/16-3 bearing units

Bearing No. FYRP 2 7/16-3

Size	61.912x101.6x139.7 mm
Bore Diameter	61,912 mm
Outer Diameter	101,6 mm
Width	139,7 mm
d_a	61.912 mm
d_2	101.6 mm
D_a	139.7 mm
A	66.675 mm
A_1	88.106 mm
A_2	42.862 mm
A_3	25.4 mm
A_4	20.638 mm
A_5	11.906 mm
A_6	15.875 mm
B	85.725 mm
a	3.175 mm
J	165.1 mm
L	193.675 mm
N_1	13.494 mm
s	31.75 mm
S	0.794 mm
Basic dynamic load rating - C	148 kN
Limiting speed	1100 r/min
d_a	61.913 mm



NTN Bearing de Mexico, S.A.

d_2	101.6 mm
D_a	139.7 mm
A_1	88.106 mm
A_2	42.862 mm
A_3	25.4 mm
A_4	20.637 mm
A_5	11.906 mm
A_6	15.875 mm
N_1	13.494 mm
Basic dynamic load rating C	148 kN
Mass bearing unit	6.35 kg
Attachment bolt diameter G	12.7 mm