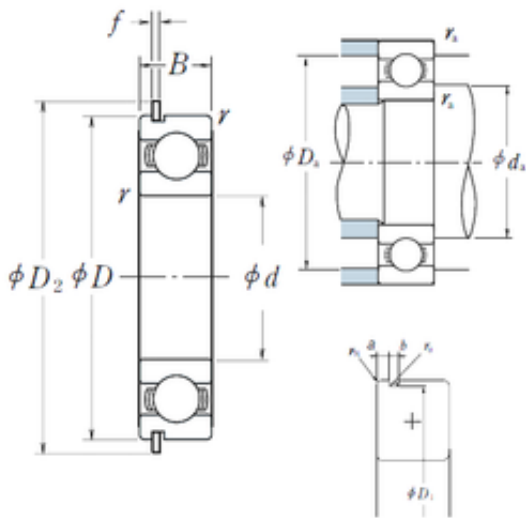




NTN Bearing de Mexico, S.A.



10 mm x 35 mm x 11 mm NSK 6300NR deep groove ball bearings

Bearing No. 6300NR

6300NR Bearing 2D drawings and 3D CAD models

| | |
|-------------------------------|--------------|
| Size | 10x35x11 mm |
| Bore Diameter | 10 mm |
| Outer Diameter | 35 mm |
| Width | 11 mm |
| d | 10 mm |
| D | 35 mm |
| B | 11 mm |
| C | 11 mm |
| rn | 0,5 mm |
| a | 2,06 mm |
| b | 1,35 mm |
| f | 1,12 mm |
| r min. | 0,6 mm |
| r0 max. | 0,4 mm |
| D1 | 33,17 mm |
| D2 | 39,7 mm |
| da min. | 14 mm |
| da max | 16,5 mm |
| Da max. | 31 mm |
| ra max. | 0,6 mm |
| Weight | 0,052 Kg |
| Basic dynamic load rating (C) | 8,1 kN |
| Basic static load rating (C0) | 3,45 kN |
| (Grease) Lubrication Speed | 22 000 r/min |
| (Oil) Lubrication Speed | 26 000 r/min |



NTN Bearing de Mexico, S.A.

| | |
|------------|---------------|
| SRI | 3.61 |
| hidYobi | 6300NR |
| LangID | 1 |
| ro | 0.4 |
| D_ | 35 |
| SREX | 0.04 |
| B_ | 11 |
| da min | 14 |
| hidTable | ecat_NS RDGB |
| Oil rpm | 26000 |
| SRE | 3.86 |
| Cy | 2.9 |
| mass | 0.052 |
| GRS rpm | 22000 |
| ra | 0.6 |
| SRIX | 0.02 |
| D_a | 31 |
| SRIN | 0 |
| C0 | 3.45 |
| fo | 11.2 |
| SREN | 0 |
| DE_ | 29.644 |
| Prod_Type3 | DGBB_SR_NR_OT |
| DA_ | 7.144 |
| bomp | 0 |
| Z_ | 6 |
| yobi | 6300NR |
| Dx | 40.5 |
| C_conv | 8100 |
| ALPHA_ | 0 |
| SDM_ | 22.5 |
| r | 0.6 |
| | |



NTN Bearing de Mexico, S.A.

| | |
|------|--------|
| KBRG | 6101 |
| SBRG | 3 |
| DI_ | 15.356 |