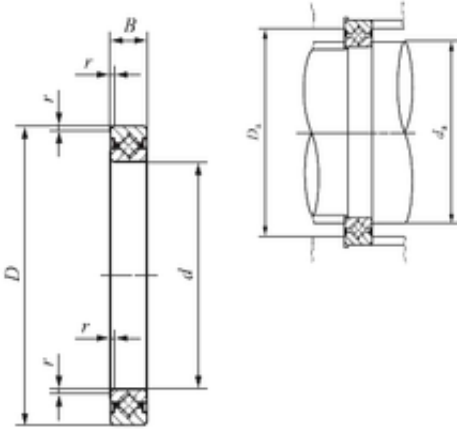




NTN Bearing de Mexico, S.A.

70 mm x 86 mm x 8 mm IKO CRBS 708 thrust roller bearings

Bearing No. CRBS 708



CRBS 708 Bearing 2D drawings and 3D CAD models

Size	70x86x8 mm
Bore Diameter	70 mm
Outer Diameter	86 mm
Width	8 mm
d	70 mm
D	86 mm
B	8 mm
r min.	0.4 mm
Da	81 mm
da	74 mm
Weight	0,108 Kg
Basic dynamic load rating (C)	5,74 kN